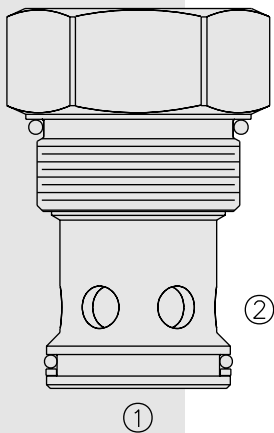


DIRECTIONAL VALVES

CV42-M20 Check Valve



DESCRIPTION

A screw-in, cartridge-style, hydraulic check valve for use as a blocking or load-holding device.

OPERATION

The CV42-M20 allows flow from ① to ②, while blocking oil flow in the opposite direction.

The cartridge has a fully guided poppet which is spring-biased to closed until sufficient pressure is applied at ① to open to ②.

FEATURES

- Hardened seat for long life and low leakage.
- Optional bias springs for back-pressure application flexibility.
- Conforms to ISO 7789 cavity.

RATINGS

Operating Pressure: 240 bar (3500 psi)

Proof Pressure: 350 bar (5075 psi)

Flow: See Performance Chart

Internal Leakage: 0.25 cc/minute (5 drops/minute) max. at 240 bar (3500 psi)

Crack Pressure Defined: Gauge pressure evident at ① at 0.95 lpm (0.25 gpm) attained at ②

Standard Bias Springs at Crack: 0.35 bar (5 psi); 1.7 bar (25 psi); 4.1 bar (60 psi)

Temperature: -40 to 120°C

Filtration: Recommend 25µ nominal or better; See page 9.010.1

Fluids: Mineral-based or synthetics with lubricating properties at viscosities of 7.4 to 420 cSt (50 to 2000 ssu)

Installation: No restrictions; See page 9.020.1

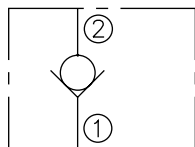
Cavity: VC42-M2 (ISO M42-2.0); See page 9.142.1

Cavity Tool: CT42-M2XX; See page 8.600.1

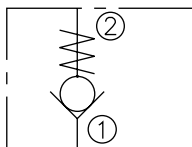
Seal Kit: SK42-M2X-T; See page 8.650.1

SYMBOLS

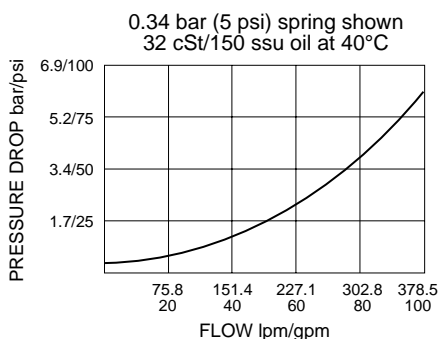
USASI:



ISO:

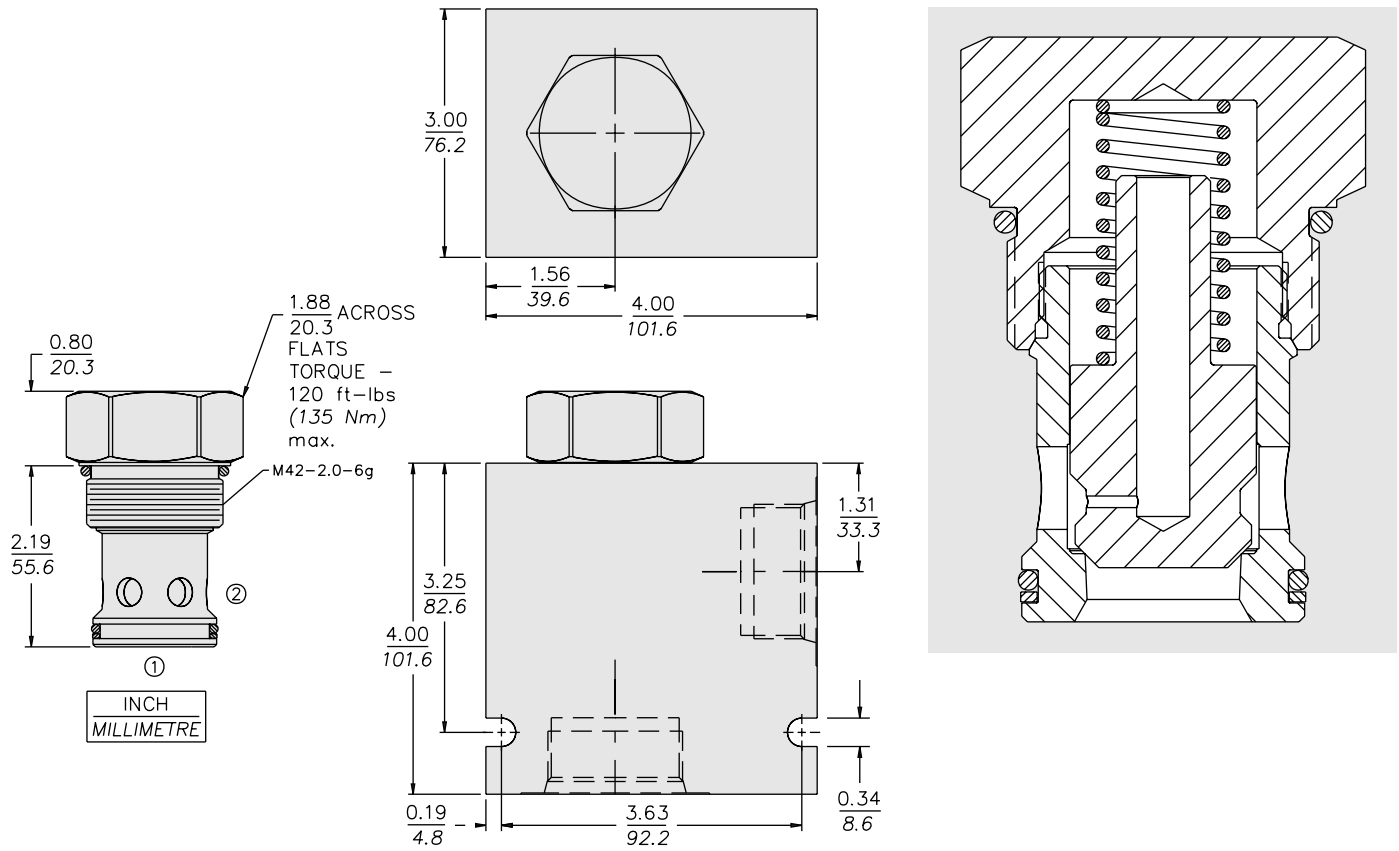


PERFORMANCE (Cartridge Only)



CV42-M20

DIMENSIONS



MATERIALS

Cartridge: Weight: 0.43 kg. (0.95 lbs.); Steel with hardened work surfaces; Zinc-plated exposed surfaces; Buna N O-rings and polyester elastomer back-ups standard.

Standard Ported Body: Weight: 0.85 kg. (1.88 lbs.); Anodized high-strength 6061 T6 aluminum alloy, rated to 240 bar (3500 psi). See page 8.016.1. Steel bodies available; consult factory.

TO ORDER

CV42-M20 -	-	-	-
	Porting	Seals	Bias Spring (Crack)
	Cartridge Only 0	N Buna N (Std.) 5	0.35 bar (5 psi)
	SAE 20 20T	V Fluorocarbon 15	1.0 bar (15 psi)
		30	2.1 bar (30 psi)
		60	4.1 bar (60 psi)