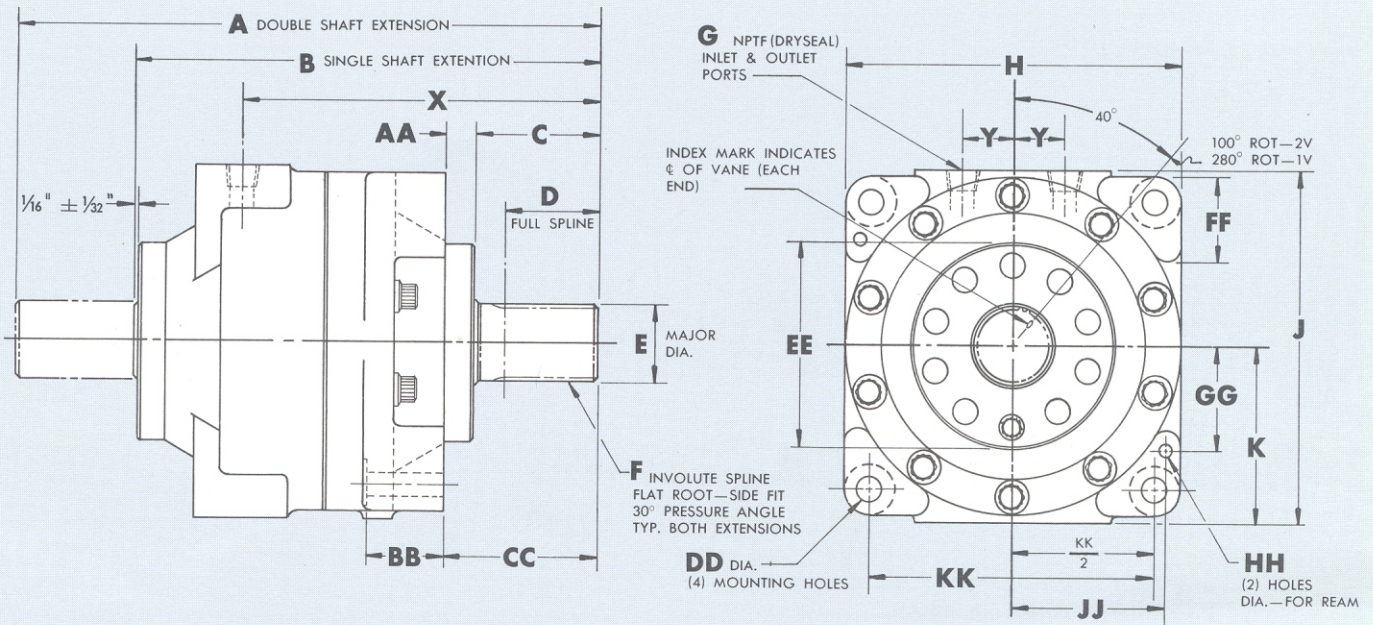




# High Pressure Units • General Product Information



## Mounting Dimensions—Flange Units

MODEL	AA	BB	CC	DD	EE	FF	GG	HH	JJ	KK
26R-2-FLG	1/2	1 3/8	2 5/8	1 3/32	3 3/8	1 7/16	1 25/32	15/64	2 39/64	4 7/8
26R-5-FLG	9/16	1 15/16	2 27/32	1 7/32	4 1/4	1 13/16	2 7/16	1 1/32	3 13/32	6 3/8
26R-10-FLG	5/8	1 15/16	3 3/8	1 1/16	5	2 5/16	2 15/16	15/32	4 9/32	8
26R-17-FLG	3/4	2 1/4	3 3/8	1 3/16	6	2 9/16	3 1/2	23/32	4 15/16	9 1/4
26R-31-FLG	3/4	2 7/16	4 3/8	1 5/16	7	3 3/8	4 7/16	27/32	6 1/16	11 1/4
26R-62-FLG	1	2 11/16	6	1 1/16	9 3/8	3 13/16	5 7/16	27/32	7 7/16	14
26R-124-FLG	1 1/4	4 1/2	7 7/16	1 5/16	10 1/2	4 5/8	6 5/16	27/32	8 13/16	16 3/4

## Outside Dimensions—Common to Flange and Foot Mounted Units

MODEL	A	B	C ± 1/32	D	E ± .000 / .005
26R-2	10.08	8.02	2 1/8	1 5/8	1.336
26R-5	12.06	9.84	2 9/32	1 3/4	1.671
26R-10	14.19	11.50	2 3/4	2 1/8	2.224
26R-17	16.57	13.51	3 3/8	2 1/2	2.676
26R-31	18.58	15.01	3 5/8	3	3.276
26R-62	24.38	19.44	5	4 1/4	4.096
26R-124	31.22	25.06	6 1/4	5 1/4	4.846

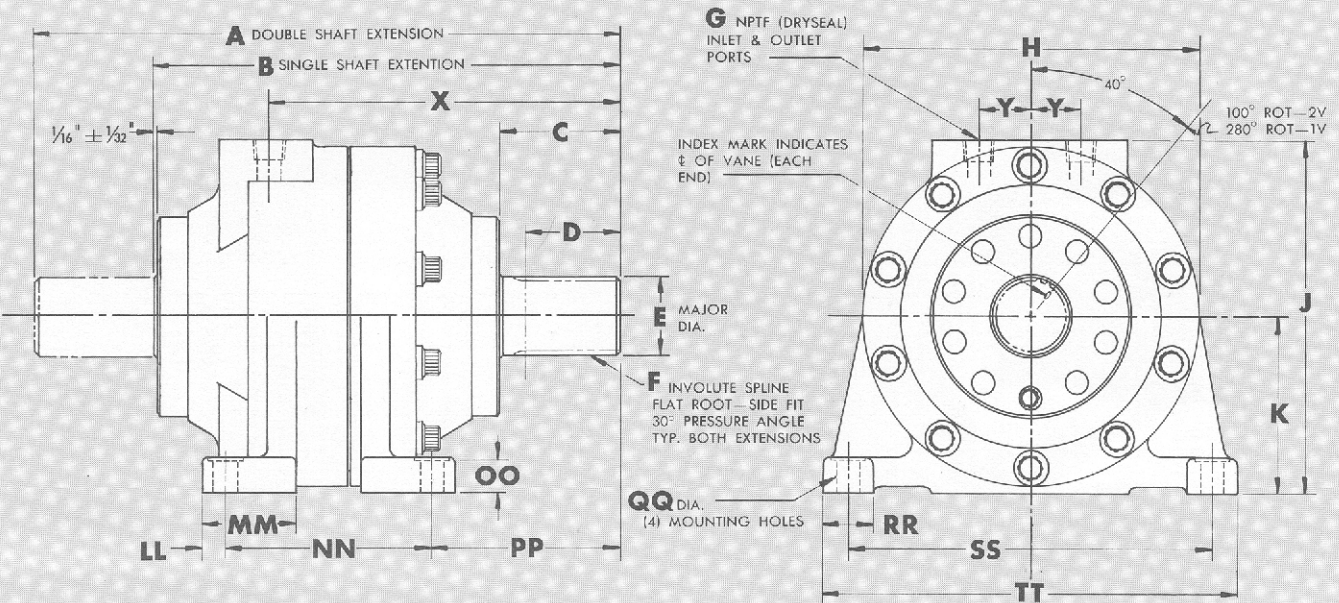
# Engineering Data

## TORQUE RATINGS—FLANGE AND FOOT MOUNTED

MODEL	TORQUE-IN. LBS. 1 VANE			TORQUE-IN. LBS. 2 VANE			IN <sup>3</sup> DISP.		IN <sup>3</sup> / RADIAN		Flange Mounted Weight* <sub>kg</sub>	Foot Mounted Weight*
	1,000 psi	2,000 psi	3,000 psi	1,000 psi	2,000 psi	3,000 psi	280° rotation	100° rotation	1 vane	2 vane		
26R-2	1720	3440	5160	3650	7300	10950	9.35	6.67	1.91	3.82	34 <i>15.1</i>	37
26R-5	3900	7800	11700	8240	16450	24700	21.20	15.10	4.34	8.68	65 <i>28.9</i>	70
26R-10	9100	18200	27300	19300	38600	57900	49.50	35.40	10.12	20.24	120 <i>53.4</i>	130
26R-17	15200	30400	45600	32200	64400	96600	82.60	59.00	16.90	33.80	310 <i>137.9</i>	325
26R-31	27500	55000	82500	58300	116600	174900	149.50	106.80	30.60	61.20	500 <i>222.4</i>	525
26R-62	56000	112000	168000	118500	237000	355500	304.00	217.00	62.20	124.40	735 <i>326.9</i>	775
26R-124	110000	220000	330000	232000	464000	696000	598.00	427.00	122.00	244.00	1270 <i>564.9</i>	1335

*KN.m*  
1.24  
2.79  
6.54  
10.91  
19.76  
40.16  
78.63

\*Approximate Weight in Pounds—Two Vane, Double Extension Models



## Mounting Dimensions—Foot Units

MODEL	LL	MM	NN	OO	PP	QQ	RR	SS	TT
26R-2-FT	3/8	1 1/16	3 1/16	9/16	3/4	1 1/32	7/8	6 1/4	7 1/8
26R-5-FT	1 1/16	2 3/16	4 5/8	1 3/16	3 23/32	1 7/32	1 3/8	8 1/4	9 5/8
26R-10-FT	3/4	2 1/4	5 3/8	1 5/16	4 13/32	1 1/16	1 1/2	10 1/4	11 3/4
26R-17-FT	1 3/16	2 5/8	6 1 1/16	1 1/8	4 61/64	1 3/16	1 3/4	11 7/8	13 3/8
26R-31-FT	1 5/16	3 1/16	7 3/4	1 1/2	5 27/64	1 5/16	2 1/8	14 7/8	17
26R-62-FT	1 9/32	3 5/8	9 5/16	1 11/16	7 33/64	1 1/16	2 5/8	18 3/8	21
26R-124-FT	1 15/32	4 1/2	12 3/16	2 1/16	9 33/64	1 1/16	3 3/8	21 1/4	24 1/2

	F	G	H	J	K ± .005	X	Y
26T-20/40P	1.3000PD	1/4-18	5 3/4	6	3	6 1/8	7/8
26T-16/32P	1.6250PD	1/4-18	7 5/8	8	4	7 23/32	1 1/16
26T-12/24P	2.1667PD	3/8-18	9 1/2	9 3/4	4 3/8	9 1/32	1 1/4
26T-10/20P	2.6000PD	1/2-14	11	11 1/4	5 5/8	10 1/2	1 5/8
32T-10/20P	3.2000PD	3/4-14	13 1/2	13 3/4	6 7/8	12 3/16	2 1/16
32T-8/16P	4.0000PD	3/4-14	16 3/4	17 1/8	8 7/16	15 7/8	2 5/8
38T-8/16P	4.7500PD	1-11 1/2	19 3/4	20 1/2	10 1/4	20 5/16	2 3/4