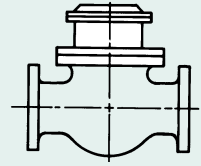
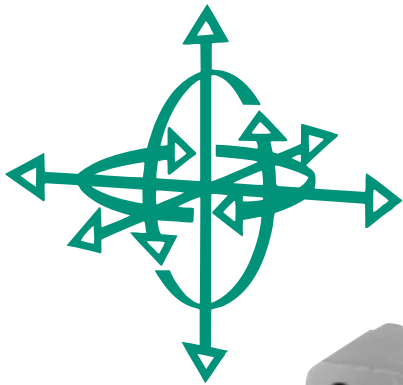
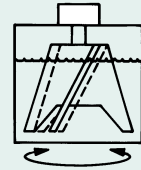


Micro-Precision **TEXTRON**  
**26-R MODELS**  
 HIGH PRESSURE 3000 PSI MAX

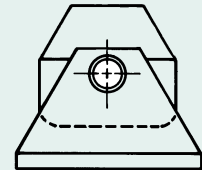
# Rotary Actuators



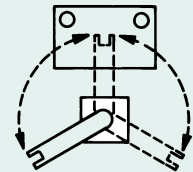
VALVE OPEN—CLOSE



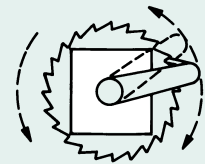
MIX—STIR



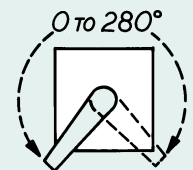
TURNOVER—DUMP



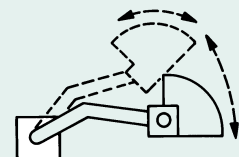
LOAD—POSITION—UNLOAD



CONTINUOUS ROTATION



TURN—OSCILLATE



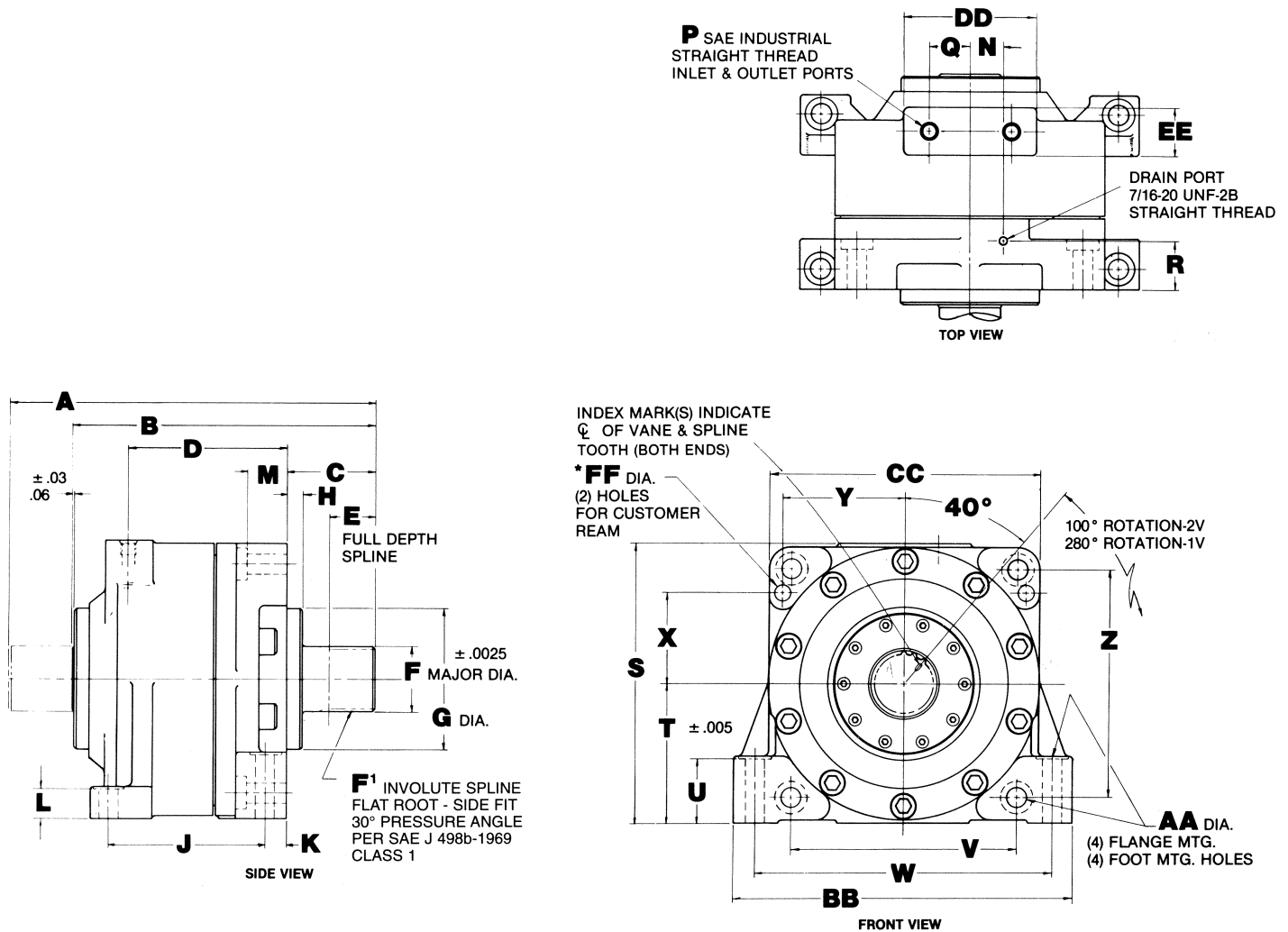
MATERIAL HANDLING

**PROVIDING** the “**MUSCLE**” for your lifting, turning, indexing, opening, closing, clamping, mixing, bending, testing, steering. . . **applications.**

**High-Pressure  
Solid Shaft**

# 26-R MODELS

**HIGH PRESSURE \*1  
3000 PSI MAX**



**NOTE:** Connection of drains will add significant life to shaft seals. *Their use is highly recommended.*

**\*NOTE:** FOR FLANGE MTD. UNITS THESE HOLES SHOULD BE TRANSFER DRILLED AND REAMED AT INSTALLATION FOR INSERTION OF DOWEL PINS. (THIS WILL AID IN PREVENTING "RACKING" OF ACTUATOR ON MOUNTING BOLTS DUE TO TORSIONAL FORCES)

**\*1** 2000 PSI maximum is recommended for severe duty applications, such as operating at maximum torque at high cycle rates for extended periods. Please consult factory for applications beyond 2000 PSI. 3000 PSI can be used on intermittent shockless actuations.

**NOTE:** See cut away view on page 26R-4.

**NOTE:** See pages OA-5 and OA-6 for optional manifolds and shaft couplings.

# APPLICATION DATA

## DIMENSIONS IN INCHES (METRIC)

	26R-2	26R-5	26R-10	26R-17	26R-31	26R-62	26R-124
A	10.08 (256)	12.06 (306.3)	14.19 (360.4)	16.57 (420.9)	18.58 (471.9)	24.38 (619.3)	31.22 (792.9)
B	8.02 (203.7)	9.84 (249.9)	11.50 (292.1)	13.51 (343.2)	15.01 (381.3)	19.44 (493.8)	25.06 (636.5)
C	2.62 (66.5)	2.86 (72.6)	3.41 (86.6)	3.87 (98.3)	4.38 (111.3)	6.02 (152.9)	7.51 (190.8)
D	3.50 (88.9)	4.86 (123.4)	5.63 (143)	6.61 (167.9)	7.80 (198.1)	9.87 (250.7)	12.80 (325.1)
E	1.62 (41.1)	1.75 (44.4)	2.12 (53.8)	2.50 (63.5)	3.00 (76.2)	4.25 (107.9)	5.25 (133.4)
F*	1.3335 (33.871)	1.6685 (42.380)	2.2268 (56.561)	2.6735 (67.907)	3.2735 (83.147)	4.0935 (103.975)	4.8435 (123.025)
F'	26T (20/40P)	26T (16/32P)	26T (12/24P)	26T (10/20P)	32T (10/20P)	32T (8/16P)	38T (8/16P)
G	1.3000PD 3.38 (85.9)	1.6250PD 4.25 (108)	2.1667PD 5.00 (127)	2.6000PD 6.00 (1524)	3.2000PD 7.00 (177.8)	4.0000PD 9.13 (231.9)	4.7500PD 10.50 (266.7)
H	.50 (12.7)	.57 (14.5)	.64 (16.3)	.76 (19.3)	.76 (19.3)	1.02 (25.9)	1.27 (32.3)
J	3.56 (90.4)	4.62 (117.3)	5.37 (136.4)	6.69 (169.9)	7.75 (196.9)	9.31 (236.5)	12.19 (309.6)
K	.63 (16)	.86 (21.8)	1.01 (25.7)	1.07 (27.2)	1.04 (26.4)	1.51 (38.4)	2.01 (51.1)
L	.56 (14.2)	.81 (20.6)	.94 (23.9)	1.12 (28.4)	1.50 (38.10)	1.69 (42.9)	2.06 (52.3)
M	.75 (19.1)	1.25 (31.8)	1.50 (38.1)	1.75 (44.5)	2.00 (50.8)	2.68 (68.1)	4.00 (101.6)
N	.77 (19.6)	1.01 (25.7)	1.19 (30.2)	1.47 (37.3)	1.68 (42.7)	2.17 (55.1)	2.44 (62)
P	3/4-16 .88 (22.4)	3/4-16 1.06 (26.9)	7/8-14 1.25 (31.8)	1 1/16-12 1.62 (41.1)	1 5/16-12 2.06 (52.3)	1 5/16-12 2.62 (66.5)	1 7/8-12 2.75 (69.9)
R	1.29 (32.8)	1.80 (45.7)	1.82 (46.2)	2.17 (55.1)	2.42 (61.5)	2.79 (70.9)	3.67 (93.2)
S	6.00 (152.4)	8.00 (203.2)	9.76 (247.9)	11.26 (286)	13.76 (349.5)	17.13 (435.1)	20.50 (520.7)
T**	3.000 (76.20)	4.000 (101.60)	4.875 (123.83)	5.625 (142.88)	6.875 (174.63)	8.562 (217.47)	10.25 (260.35)
U	1.50 (38.1)	1.94 (49.3)	2.25 (57.2)	2.62 (66.5)	3.19 (81.0)	3.90 (99.1)	4.88 (123.9)
V	4.88 (123.9)	6.38 (162.1)	8.00 (203.2)	9.25 (234.9)	11.25 (285.8)	14.00 (355.6)	16.75 (425.5)
W	6.25 (158.8)	8.25 (209.6)	10.25 (260.4)	11.87 (301.5)	14.87 (377.7)	18.37 (466.6)	21.25 (539.8)
X	1.78 (45.2)	2.44 (61.9)	2.94 (74.7)	3.50 (88.9)	4.44 (112.8)	5.44 (138.2)	6.31 (160.3)
Y	2.61 (66.3)	3.41 (86.6)	4.28 (108.7)	4.94 (125.5)	6.06 (153.9)	7.44 (188.9)	8.81 (223.8)
Z	4.88 (123.9)	6.38 (162.1)	8.00 (203.2)	9.25 (234.9)	11.25 (285.8)	14.00 (355.6)	16.75 (425.5)
AA	.41 (10.4)	.53 (13.5)	.69 (17.5)	.81 (20.6)	.94 (23.9)	1.06 (26.9)	1.31 (33.3)
BB	7.12 (180.8)	9.62 (244.3)	11.75 (298.5)	13.62 (345.9)	17.00 (431.8)	21.00 (533.4)	24.50 (622.3)
CC	5.75 (146.1)	7.62 (193.5)	9.50 (241.3)	11.00 (279.4)	13.50 (342.9)	16.75 (425.5)	19.75 (501.7)
DD	3.38 (85.85)	3.94 (100.1)	4.50 (114.3)	5.75 (146.1)	6.62 (168.1)	8.00 (203.2)	9.62 (244.3)
EE	1.62 (41.1)	1.81 (45.9)	2.00 (50.8)	2.50 (63.5)	2.50 (63.5)	2.75 (69.9)	4.12 (104.6)
FF	.23 (5.8)	.34 (8.6)	.47 (11.9)	.72 (18.3)	.84 (21.3)	.84 (21.3)	.84 (21.3)

\*±.0025 in. (0.064 mm)  
\*\*-.005 in. (0.13 mm)

# PERFORMANCE

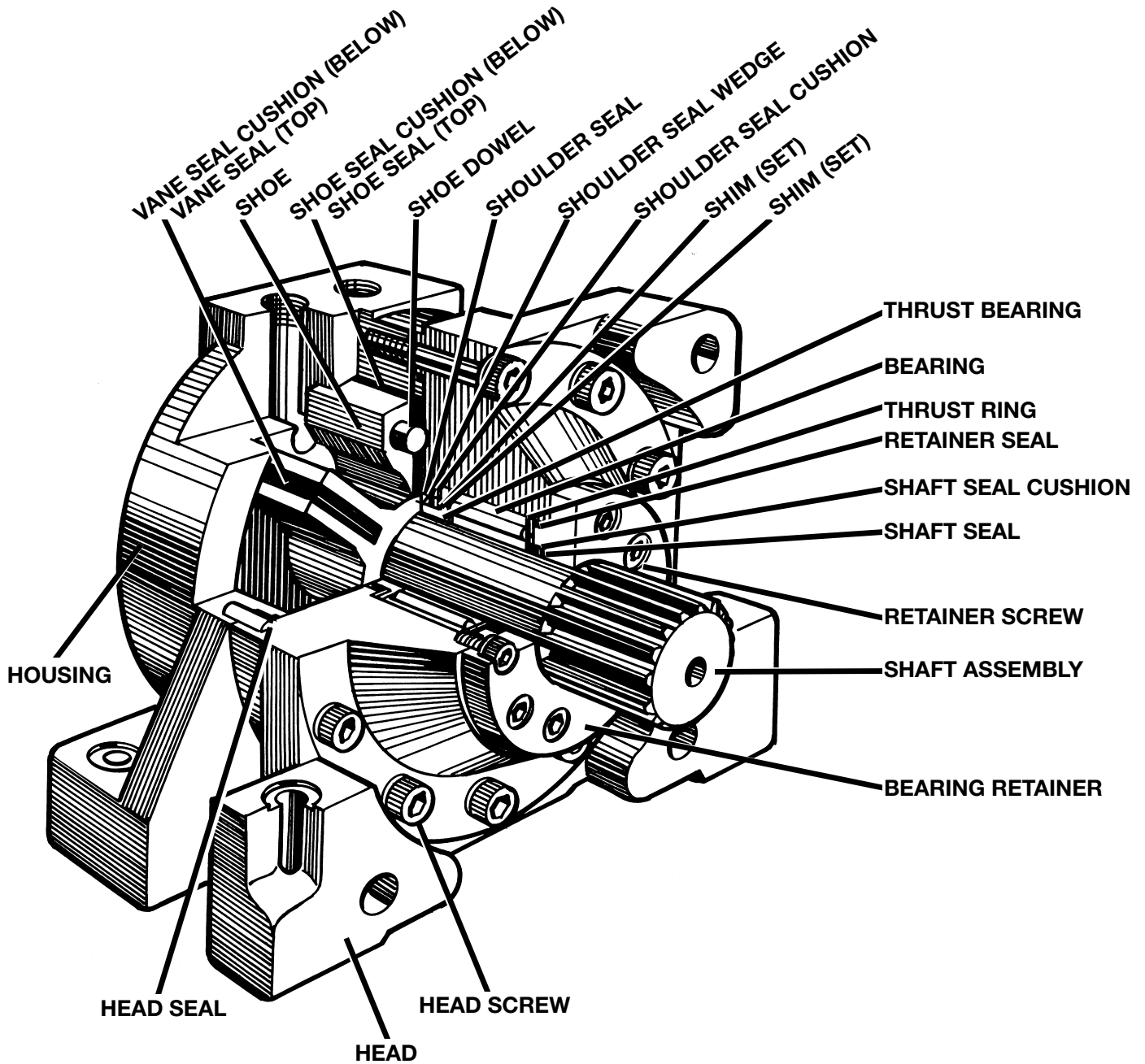
SINGLE VANE 280° ROTATION (±1°)						
MODEL	TORQUE IN-LBS (N*m)			VOLUMETRIC DISPLACEMENT IN³ (cm³)		APPROX. WEIGHT LB (Kg)
	1000 PSI (69.0 BAR)	2000 PSI (137.9 BAR)	3000 PSI (206.9 BAR)	PER 280°	PER RAD	
26R2	1720 (194.4)	3440 (388.7)	5160 (583.1)	9.35 (153.25)	1.91 (31.3)	32 (15)
26R5	3900 (440.7)	7800 (881.4)	11700 (1322.1)	21.20 (347.47)	4.34 (71.13)	67 (30)
26R10	9100 (1028.5)	18200 (2056.6)	27300 (3084.9)	49.50 (811.31)	10.12 (165.87)	115 (52)
26R17	15200 (1717.6)	30400 (3435.2)	45600 (5152.8)	82.60 (1353.81)	16.90 (276.99)	207 (94)
26R31	27500 (3107.5)	55000 (6215)	82500 (9322.5)	149.50 (2450.31)	30.60 (501.55)	334 (152)
26R62	56000 (6328)	112000 (12656)	168000 (18984)	304.00 (4982.56)	62.20 (1019.46)	680 (308)
26R124	110000 (12430)	220000 (24860)	330000 (37290)	598.00 (9801.22)	122.00 (1999.58)	1221 (554)

DOUBLE VANE 100° ROTATION (±1°)						
MODEL	TORQUE IN-LBS (N*m)			VOLUMETRIC DISPLACEMENT IN³ (cm³)		APPROX. WEIGHT LB (Kg)
	1000 PSI (69.0 BAR)	2000 PSI (137.9 BAR)	3000 PSI (206.9 BAR)	PER 100°	PER RAD	
26R2	3650 (412.5)	7300 (824.9)	10950 (1237.4)	6.67 (109.32)	3.82 (62.61)	33 (15)
26R5	8240 (931)	16450 (1858.9)	24700 (2791.1)	15.10 (247.49)	8.68 (142.27)	70 (32)
26R10	19300 (2180.9)	38600 (4361.8)	57900 (6542.7)	35.40 (580.21)	20.24 (331.73)	124 (56)
26R17	32200 (3638.6)	64400 (7277.2)	96600 (10915.8)	59.00 (967.01)	33.80 (553.98)	225 (102)
26R31	58300 (6587.9)	116600 (13175.8)	174900 (19763.7)	106.80 (1750.45)	61.20 (1003.07)	363 (165)
26R62	118500 (13390.5)	237000 (26781)	355500 (40171.5)	217.00 (3556.63)	124.40 (2038.92)	730 (331)
26R124	232000 (26216)	464000 (52432)	696000 (78648)	427.00 (6998.53)	244.00 (3999.16)	1318 (598)

High-Pressure  
Solid Shaft

TEST PARAMETERS — OIL					
MODEL	MAX BREAK IN PSI (BAR)	BY-PASS LEAKAGE-MAX ALLOWABLE			
		CUBIC IN. PER MIN. AT 3000 PSI (206.9 BAR)		CUBIC CM. PER MIN. AT 3000 PSI (206.9 BAR)	
		1V	2V	1V	2V
26R2	150 (10.3)	6	8	98.3	131.1
26R5	140 (9.6)	6	8	98.3	131.1
26R10	130 (8.9)	8	10	131.1	163.9
26R17	120 (8.3)	8	10	131.1	163.9
26R31	110 (7.6)	10	12	163.9	196.7
26R62	100 (6.9)	10	12	163.9	196.7
26R124	90 (6.2)	12	15	196.7	245.9

NOTE: See how to order on page 26R-4.



## HOW TO ORDER

**Sample: 26R 62 2V DE IS FT./FLG. OIL**

<b>Model</b> _____	_____	<b>Fluid Medium</b>
<b>Size</b> _____	_____	Oil, Other
<b>Number of Vanes</b> _____	_____	<b>Mounting</b>
1V—Single Vane		Foot/Flange
2V—Double Vane		Special
<b>Shaft Extension</b> _____	_____	<b>Shaft Type</b>
SE—Single Extension		IS—30° Involute Spline
DE—Double Extension		Z—Special

If you require a special shaft extension, special mounting, air bleeds, special rotation control, or other special requirements, please enclose a drawing showing these requirements. Each number and letter has a specific meaning as shown in the sample.