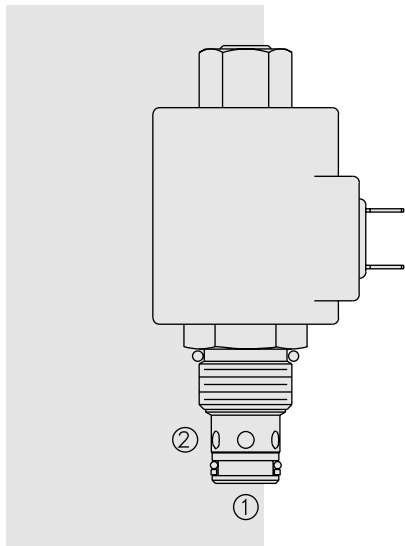


SOLENOID VALVES

SV10-21 Poppet, 2-Way, Normally Open



DESCRIPTION

A solenoid-operated, 2-way, piloted, poppet-type, normally open, screw-in, hydraulic cartridge valve designed for low leakage in load-holding applications.

OPERATION

When de-energized, the **SV10-21** allows flow from ② to ①. Flow from ① to ② is severely restricted in this mode. If the ① to ② path is required, see model SV10-23, page 1.053.1.

When energized, the valve's poppet closes on its seat, blocking flow in the ② to ① direction. In this mode the cartridge will allow ① to ② flow after overcoming the solenoid force (requires 3.4 to 10.3 bar [50 to 150 psi]).

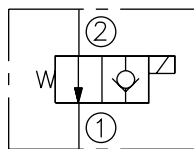
Operation of the Manual Override Option: To override, push and hold override button.

FEATURES

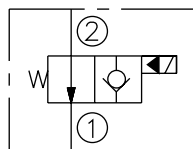
- Continuous duty-rated solenoid.
- Hardened seat for long life and low leakage.
- Optional coil voltages and terminations.
- Efficient wet-armature construction.
- Cartridges are voltage interchangeable.
- Unitized, molded coil design.
- Industry common cavity.
- Manual override option.
- Optional waterproof E-Coils rated up to IP69K.

SYMBOLS

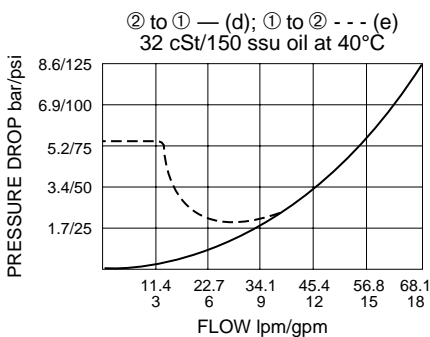
USASI:



ISO:



PERFORMANCE (Cartridge Only)



RATINGS

Operating Pressure: 207 bar (3000 psi)

Proof Pressure: 345 bar (5000 psi)

Flow: See Performance Chart

Internal Leakage: 0.25 cc/minute (5 drops/minute) max. at 207 bar (3000 psi)

Temperature: -40 to 120°C with standard Buna seals

Coil Duty Rating: Continuous from 85% to 115% of nominal voltage

Response Time: First indication of change of state with 100% voltage supplied at 80% of nominal flow rating: Energized: 80 msec.; De-energized: 30 msec.

Initial Coil Current Draw at 20°C: Standard Coil: 1.67 amps at 12 VDC; 0.18 amps at 115 VAC (full wave rectified). E-Coil: 2.0 amps at 12 VDC; 1.0 amps at 24 VDC

Minimum Pull-in Voltage: 85% of nominal at 207 bar (3000 psi)

Filtration: Recommend 25µ nominal or better; See page 9.010.1

Fluids: Mineral-based or synthetics with lubricating properties at viscosities of 7.4 to 420 cSt (50 to 2000 ssu)

Installation: No restrictions; See page 9.020.1

Cavity: VC10-2; See page 9.110.1

Cavity Tool: CT10-2XX; See page 8.600.1

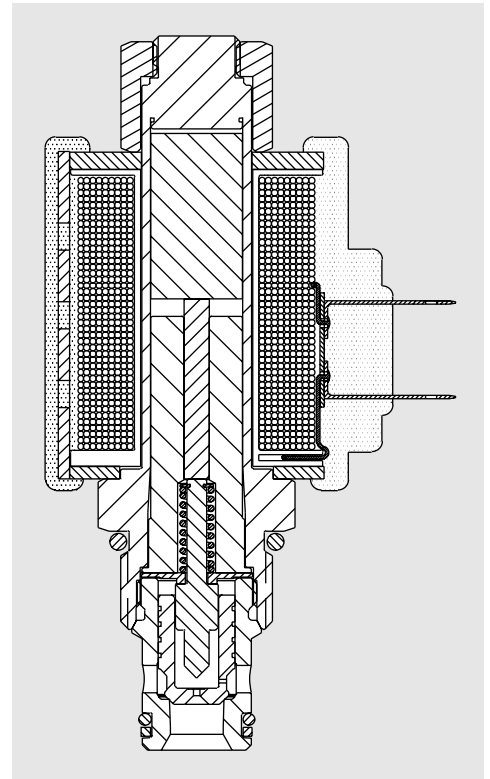
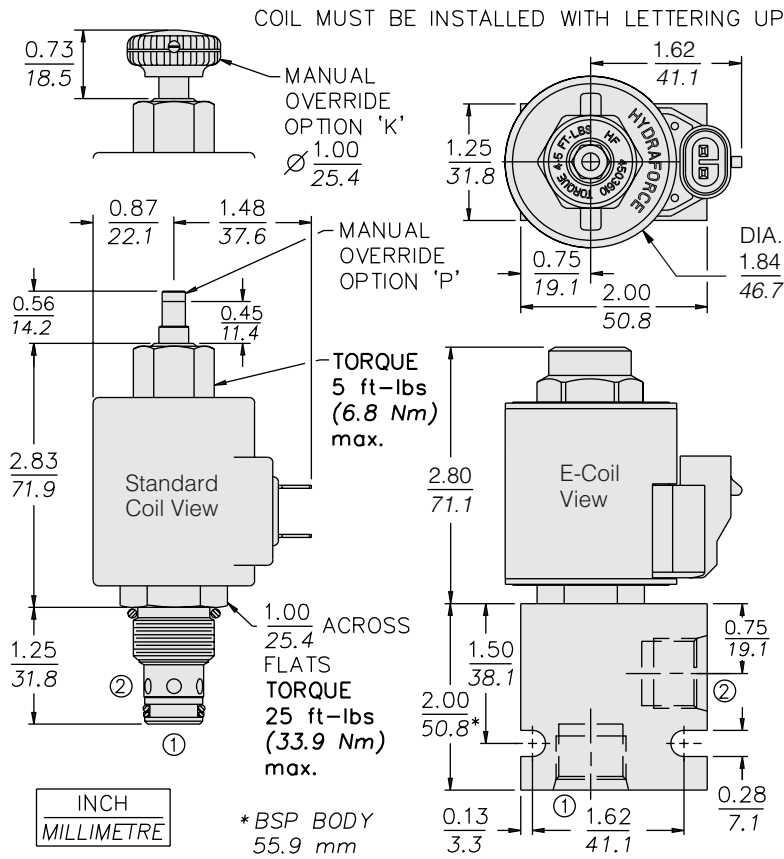
Seal Kit: SK10-2X-T; See page 8.650.1

Standard Coil Nut: Part No. 7004426

E-Coil Nut: Part No. 4503610

SV10-21

DIMENSIONS



MATERIALS

Cartridge: Weight: 0.16 kg. (0.35 lbs.); Steel with hardened work surfaces. Zinc-plated exposed surfaces. Buna N O-rings and polyester elastomer back-up standard.

Standard Ported Body: Weight: 0.16 kg. (0.35 lbs.); Anodized high-strength 6061 T6 aluminum alloy, rated to 240 bar (3500 psi); See page 8.010.1. Steel bodies available; consult factory.

Standard Coil: Weight: 0.27 kg. (0.60 lbs.); Unitized thermoplastic encapsulated, Class H high temperature magnetwire; See page 3.200.1.

E-Coil: Weight: 408 g. (14.4 oz.); Perfect wound, fully encapsulated with rugged external metal shell; Rated up to IP69K with integral connectors; **Note:** See page 3.400.1 for all E-Coil retrofit applications.

TO ORDER

SV10-21

Option		Voltage	
None (Blank)		0 Less Coil**	Termination (VDC)
Screen	S	10 10 VDC†	Std. Coil
Manual Override without Knob	P	12 12 VDC	DS Dual Spades
Manual Override with Knob	K	24 24 VDC	DG DIN 43650
		36 36 VDC	DL Leadwires (2)
		48 48 VDC	DW Leads w/Weatherpak® Connectors
Porting		110 110 VDC	Termination (VAC)
Cartridge Only	0	24 24 VAC	Std. Coil
SAE 6	6T	115 115 VAC	AG DIN 43650
SAE 8	8T	230 230 VAC	AP 1/2 in. Conduit
1/4 in. BSP*	2B		Termination (VDC)
3/8 in. BSP*	3B		E-Coil
1/2 in. BSP*	4B		ER Deutsch DT04-2P (IP69K Rated)
			EY Metri-Pack® 150 (IP69K Rated)
Seals		Voltage E-Coil	
Buna N (Std.)	N	12 12 VDC	
Fluorocarbon	V	24 24 VDC	

**Includes Std. Coil Nut

†Available only with DS, DW or DL terminations

*BSP Body; U.K. Mfr. Only